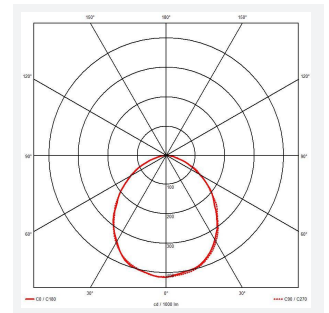
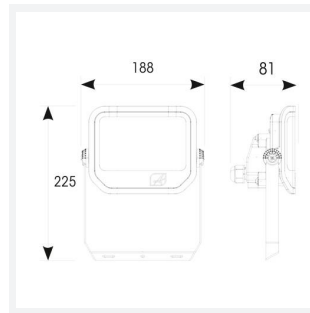


Telic

Telic CCT Floodlight 30W Black
Code: ATEL30/1/B

| | |
|---------------|--|
| Category | Floodlights |
| Application | Commercial, Education, Healthcare, Hospitality, Industrial, Outdoor, Residential, Retail |
| Specification | Architectural |



PRODUCT FEATURES

- Die-cast construction and heat sink design providing optimised thermal characteristics for optimum LED life and performance
- CCT selectable between 3000K, 4000K and 6000K
- Loop-in, loop-out junction back on the rear of the fitting
- Bracket design allows installation without removing mounting bracket
- Die-cast construction and heat sink design providing optimised thermal characteristics for optimum LED life and performance
- Plug and play PIR complete with manual override facility
- Pre-installed breathable gland prevents internal moisture accumulation
- Black textured paint finish

| GENERAL INFORMATION | |
|-------------------------|-----------------|
| Wattage | 30W |
| Lumens Delivered | 2900lm (4000K) |
| Lm/W | 98lm/W (4000K) |
| Beam Angle | 90 |
| CRI | 80 |
| CCT | 3000/4000/6000K |
| Input | 220/240V |
| Operating Temp | -20°C - 40°C |
| SDCM | 6 |
| Energy efficiency class | E |

| TECHNICAL INFORMATION | |
|--------------------------------|---------------------|
| Light Source | LED |
| Colour / Finish | Black |
| IP Rating | IP65 |
| Class Protection | 1 |
| Internal / External | Internal / External |
| Surface / Recessed / Suspended | Wall |
| Lumen Depreciation | L70 60,000h |
| Warranty (Years) | 6 |
| CE Mark | Yes |
| Height | 225 mm |

